

# WL300 LED012

14Bt 840 | 230B UGR<19

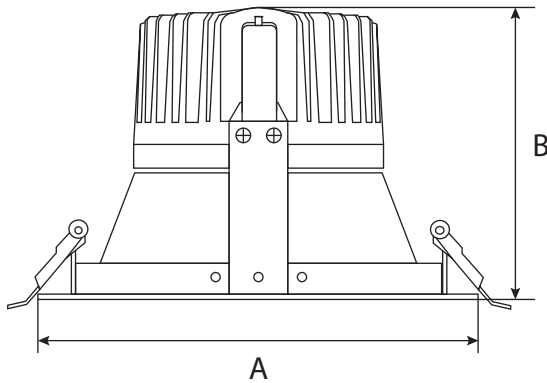
## Mounting instructions



**TAKTON**



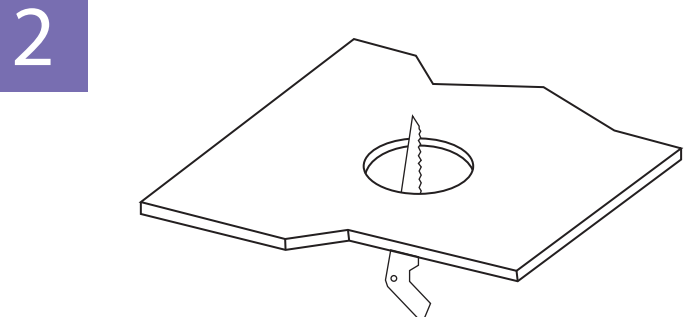
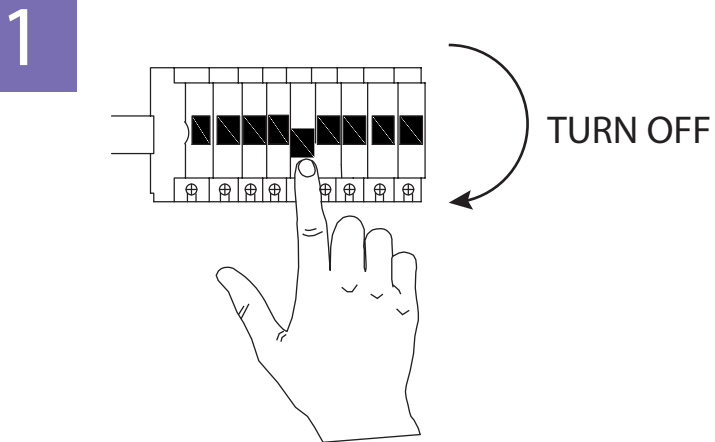
! The installation should be carried out by an electrician or by any similarly qualified person.



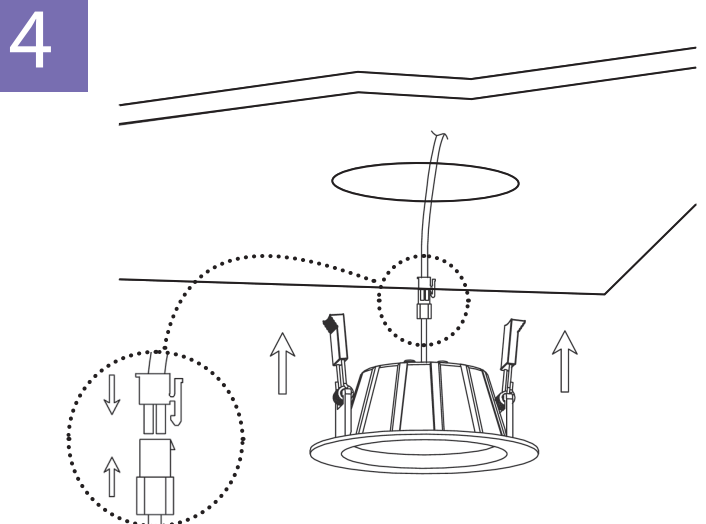
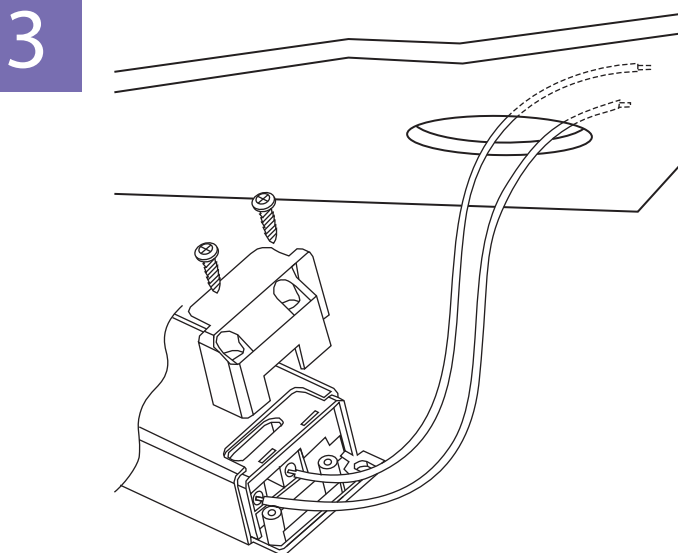
DIMENSIONS: (A x B)

13W =  $\varnothing$ 110x105 mm

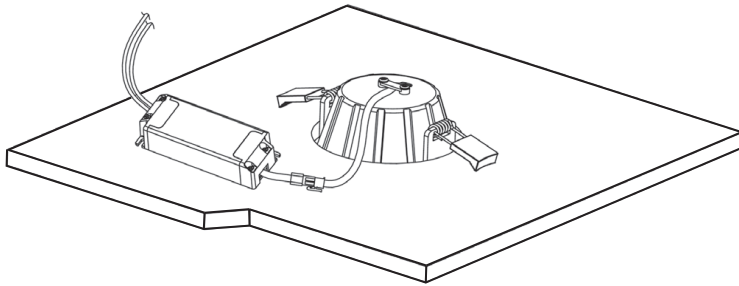
25W =  $\varnothing$ 190x130 mm



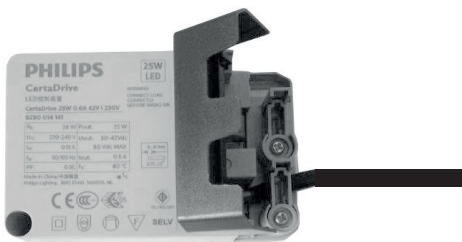
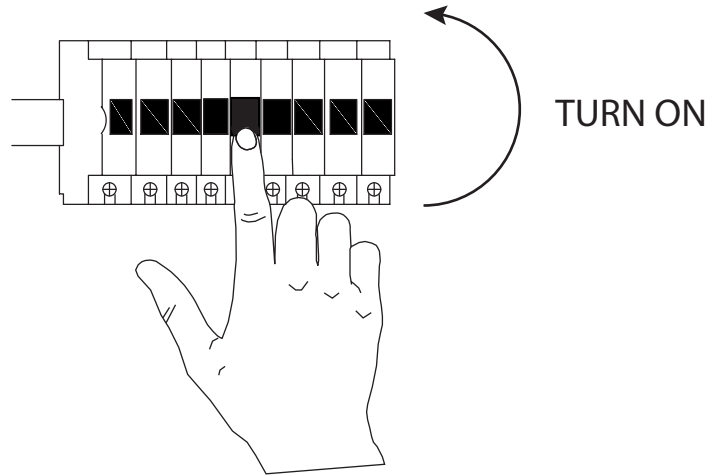
CEILING CUTOUT:  
25W =  $\varnothing$ 165-180 mm  
13W =  $\varnothing$ 95-100 mm



5



6



L 230V  
N AC/DC  
DA1 DALI-Signal  
DA2

Please read these instructions carefully before attempting to install this product.

- This product is designed for installation on a T-bar ceiling system only.
- Safety cable connection with the hook is recommended for safety purposes only. The hook cannot be used for suspending the module.
- Please follow this installation guide strictly.
- The module can only be installed into a ceiling that is perfectly horizontal and is safely suspended to a carrying structure.
- The module shall only be installed or replaced by a qualified electrician and connected in accordance with latest IEE electrical regulations or national requirements.
- If the external flexible cord of this module is damaged, it shall be exclusively replaced by the manufacturer or his service agent or a similar qualified person in order to avoid a hazard.
- The supply cord and cable provided with the module is intended for indoor use only.
- This module is intended for indoor use only.
- In any case, insulation matting or other similar materials cannot cover the module.

**CAUTION**

**RISK OF BURN INJURIES**

During and after use the unit may be hot. Do not touch the unit before it has completely cooled down.

**Failure to follow these instructions can result in minor injuries, or equipment damage.**